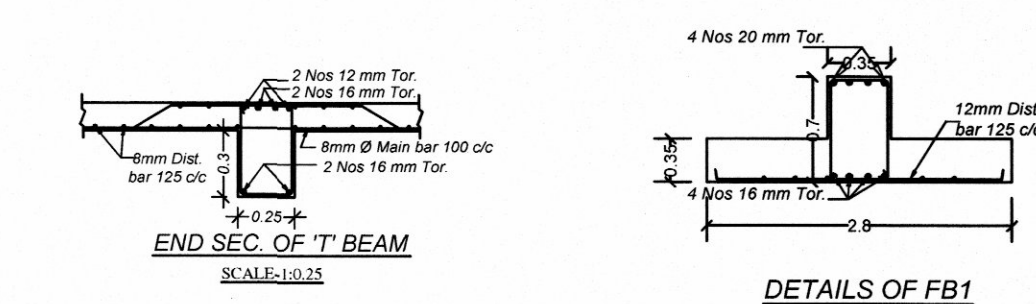
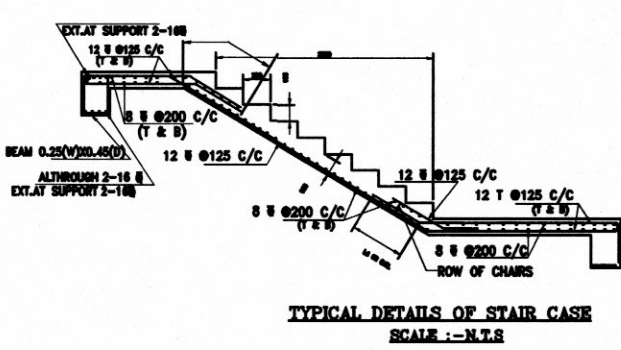
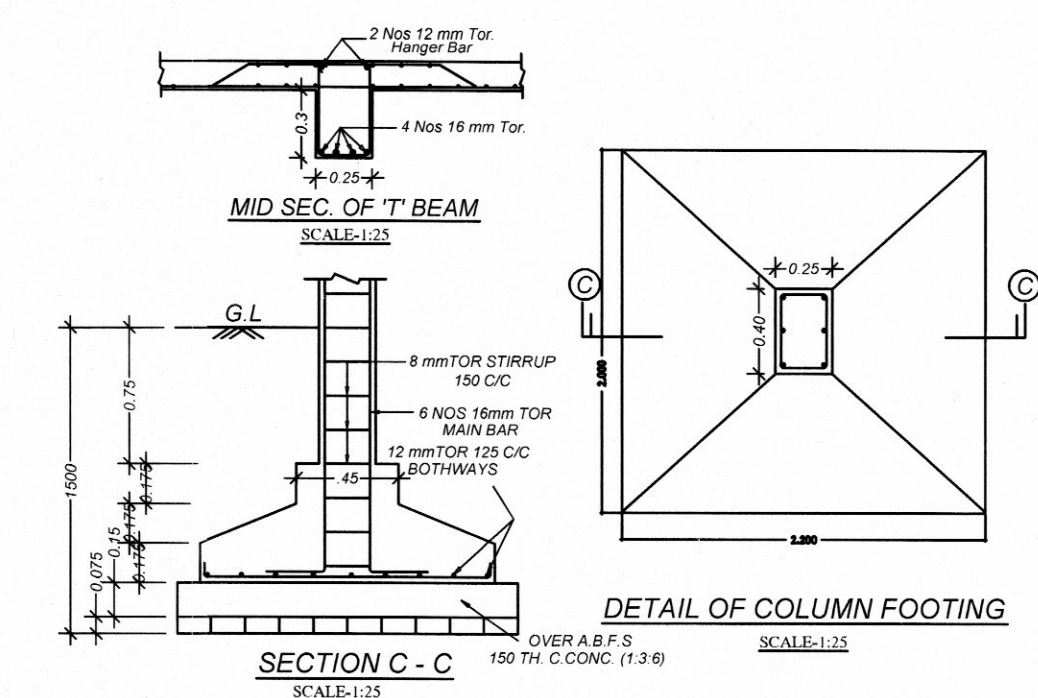


PLAN FOR G+III STORED RESIDENTIAL BUILDING HAVING HOLDING NO. - 29/A, GOKUL SUNDARI PRIMARY SCHOOL ROAD, WARD - 06 , UNDER GUSKARA MUNICIPALITY

OWNER NAME - SRI AMIT PODDAR
 ** LAND DETAILS **
 MOUZA - GUSKARA , P.S. - AUSGRAM , DIST. - PURBA BARDHAMAN ,
 NO. - 110, L.R. DAG. NO. - 3839, L.R. KHATAN NO. - 1220, 13751



SCHEDULE OF FOUNDATION

FDN. MKD.	COL. MKD.	SIZE	REINFORCEMENT		PEDESTAL		
			LONG DIRECTION	SHORT DIRECTION	SIZE	REINF.	
F1	C1,C3,C22,C28, C32,C51,C55,C75, C79	2200 2000	275	12 @ 150 C/C.	12 @ 150 C/C.	450x600x150	3-3-10#
F2	C2,C4,C6,C7,C9, C10,C11,C17,C21, C23,C27, C29,C30,C31,C52, C53,C58,C59,C63, C64,C68,C69,C74, C76,C77,C78	2600 2600	325	12 @ 150 C/C.	12 @ 150 C/C.	500x550x150	3-3-10#
F3	C5,C8,C13,C14, C24,C28	3200 3200	400	12 @ 125 C/C.	12 @ 125 C/C.	500x550x150	3-3-10#
F4	C25,C57,C60,C65, C70,C73	2800 2800	350	12 @ 125 C/C.	12 @ 125 C/C.	500x550x150	3-3-10#
F5	C19-C20	4500 3400	400	12 @ 100 C/C.	12 @ 100 C/C.	450x600x150	3-3-10#
F6	C81,C82,C86-C88A, C87-C71	6000 6100	350	12 @ 125 C/C.	12 @ 125 C/C.	500x550x150	3-3-10#
F7	C56, C72	2000 3200	375	12 @ 100 C/C.	12 @ 100 C/C.	500x550x150	3-3-10#
F8	C13, C16	4000 3800	375	12 @ 125 C/C.	12 @ 125 C/C.	500x550x150	3-3-10#
F9	C14, C15	3680 2800	375	12 @ 125 C/C.	12 @ 125 C/C.	500x550x150	3-3-10#

DETAILS COLUMN SCHEDULE

COL. MKD.	FDN. TO 1ST. FL.	1ST. TO 3RD. FL.	3RD. FL. TO ROOF
C1,C3,C22,C28, C32,C51,C55,C75, C79	4-10# 8 @ 200 C/C. LINK 2NOS./SET	4-10# 2-12# LINK 2NOS./SET	4-10# LINK 2NOS./SET
C2,C4,C6,C7,C9, C10,C11,C14,C17,C21, C23,C27,C29,C30,C31, C52,C53,C54,C58,C59, C63,C64,C68,C69,C74, C76,C77,C78,C86,C87, C13,C20	4-10# LINK 2NOS./SET	4-10# 2-12# LINK 2NOS./SET	4-10# 2-12# LINK 2NOS./SET
C5,C8,C12,C15,C16,C18, C24,C25,C28,C61,C82, C86,C88A,C87,C27,C30, C65,C70,C72,C73	4-20# LINK 2NOS./SET	4-10# 8-16# LINK 2NOS./SET	4-10# 2-12# LINK 2NOS./SET

SCHEDULE OF TIE BEAM

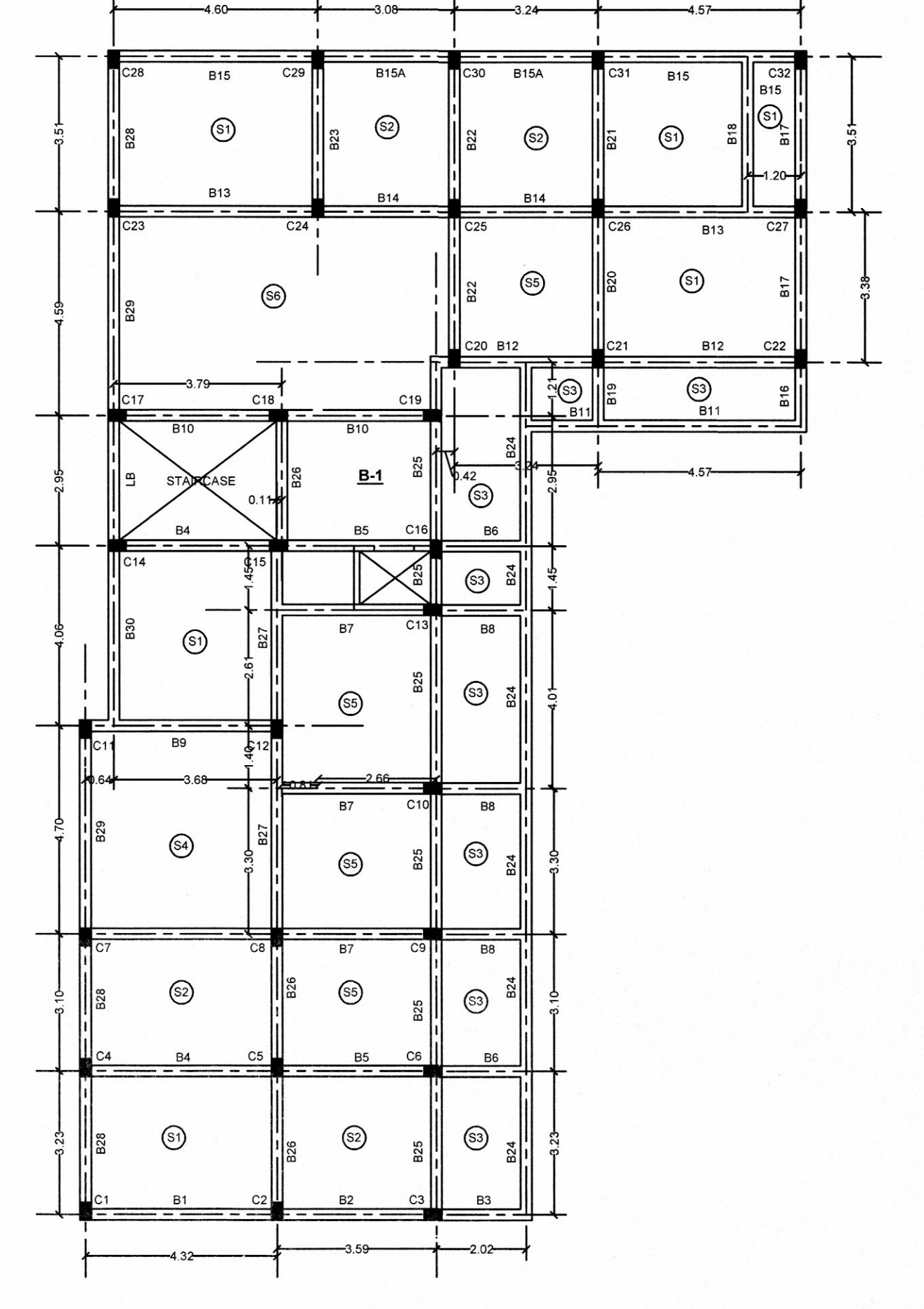
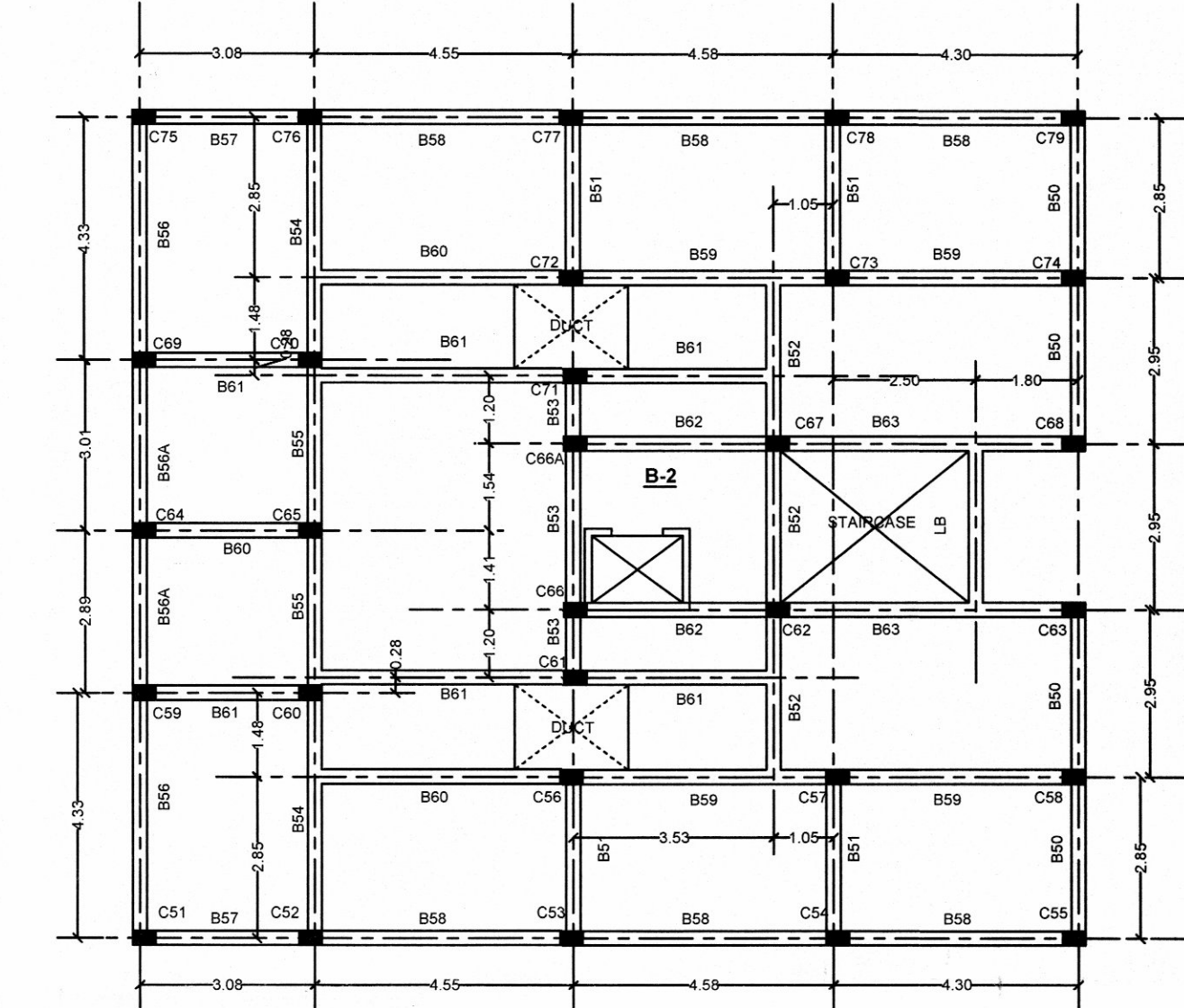
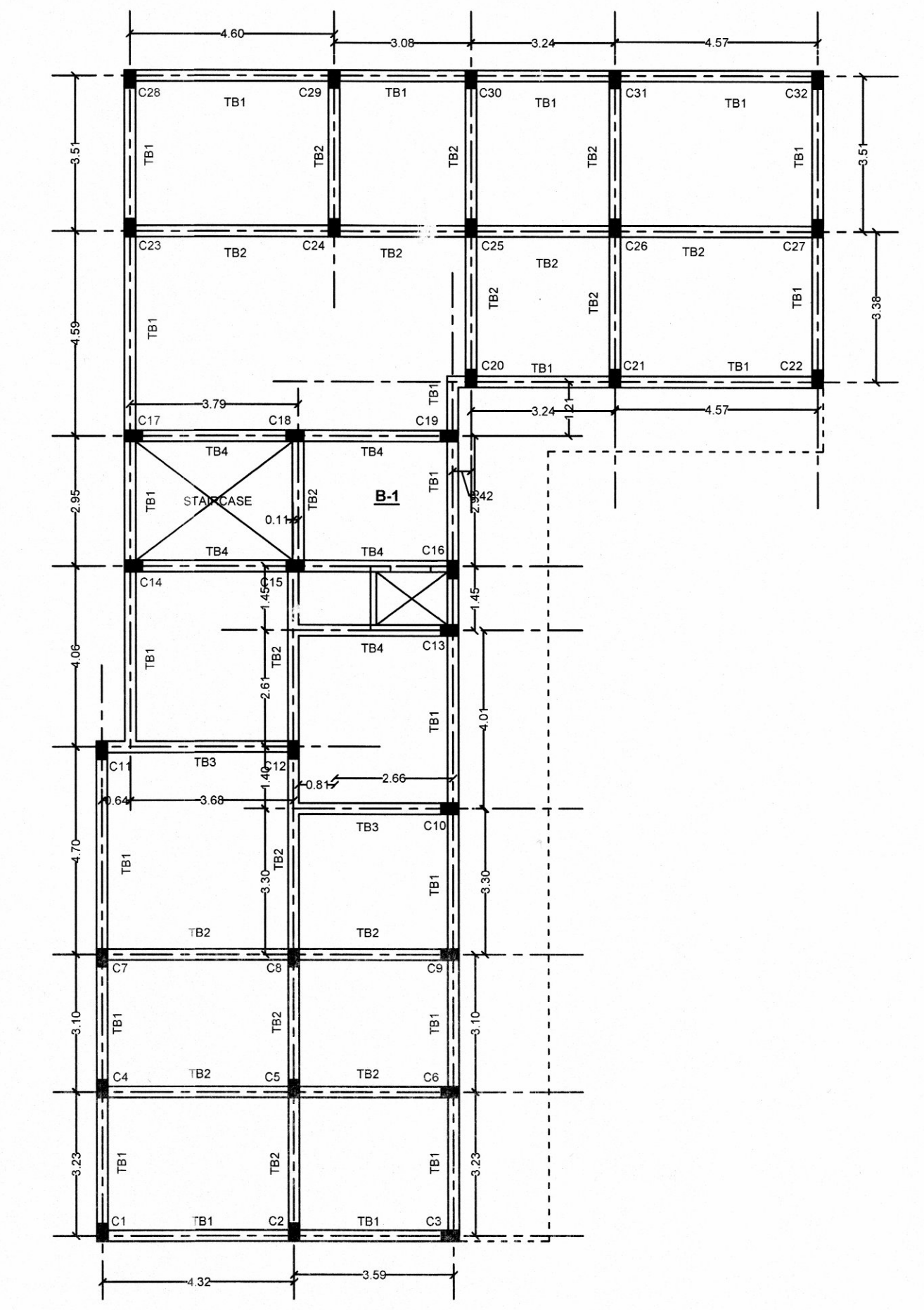
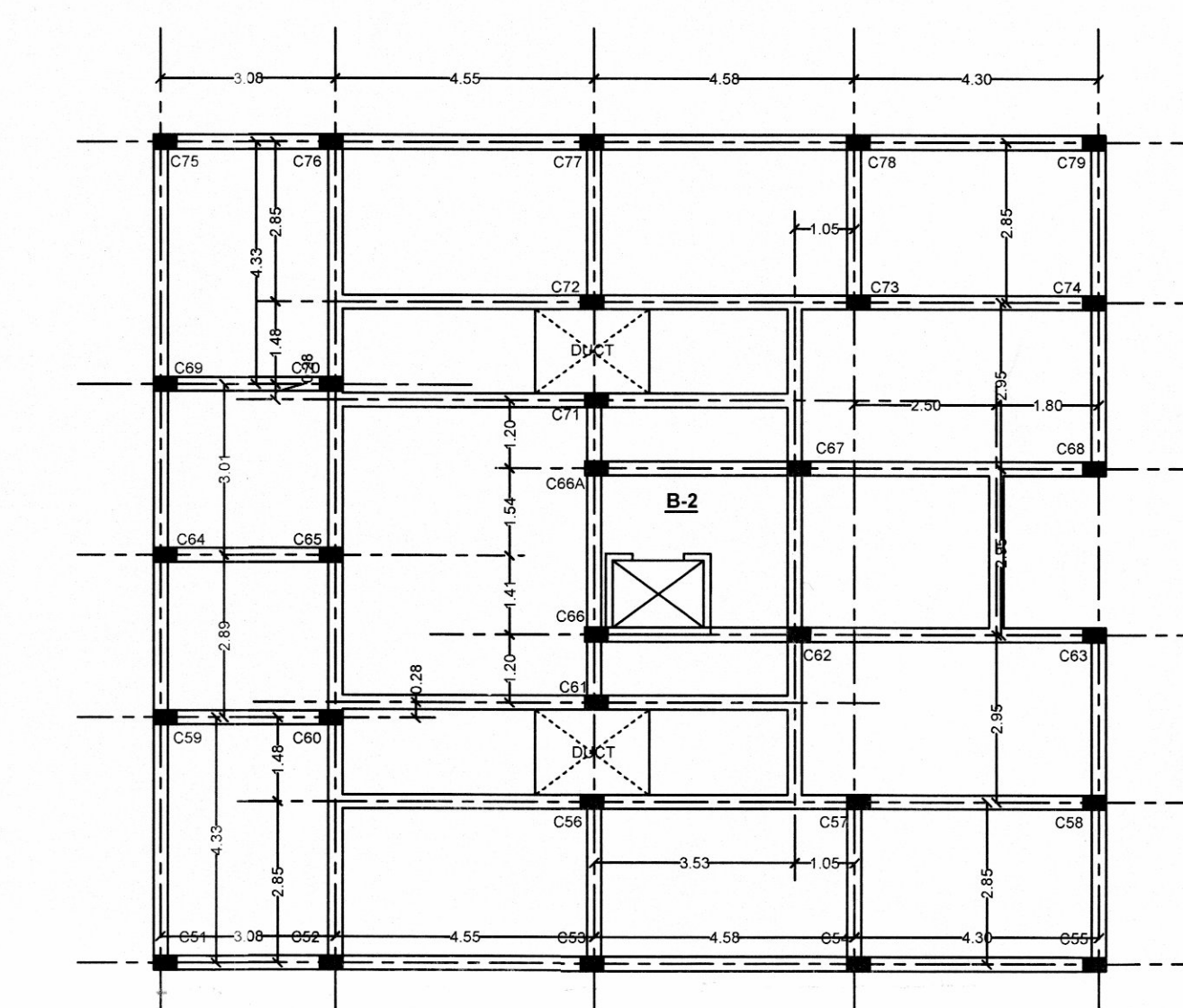
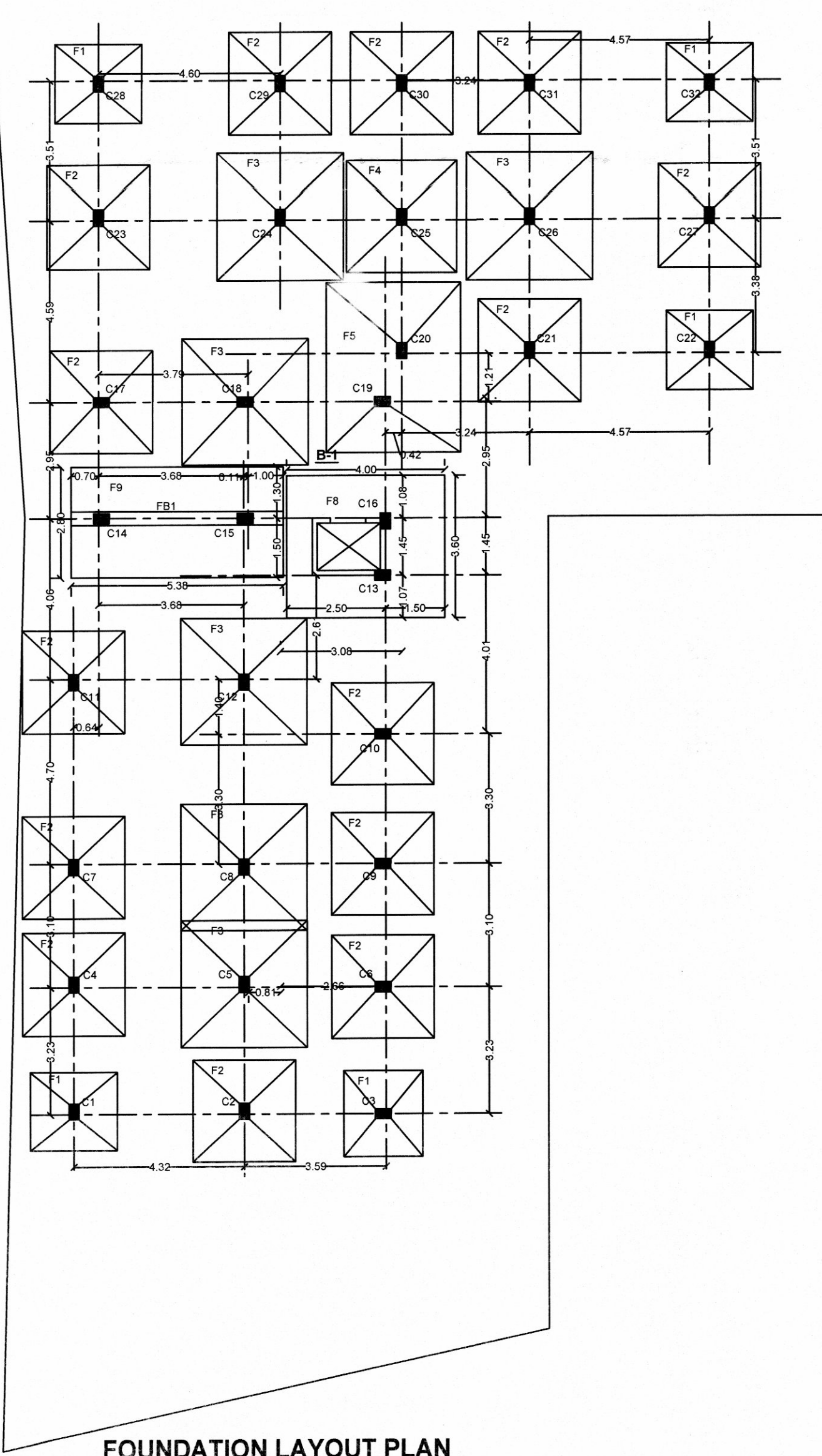
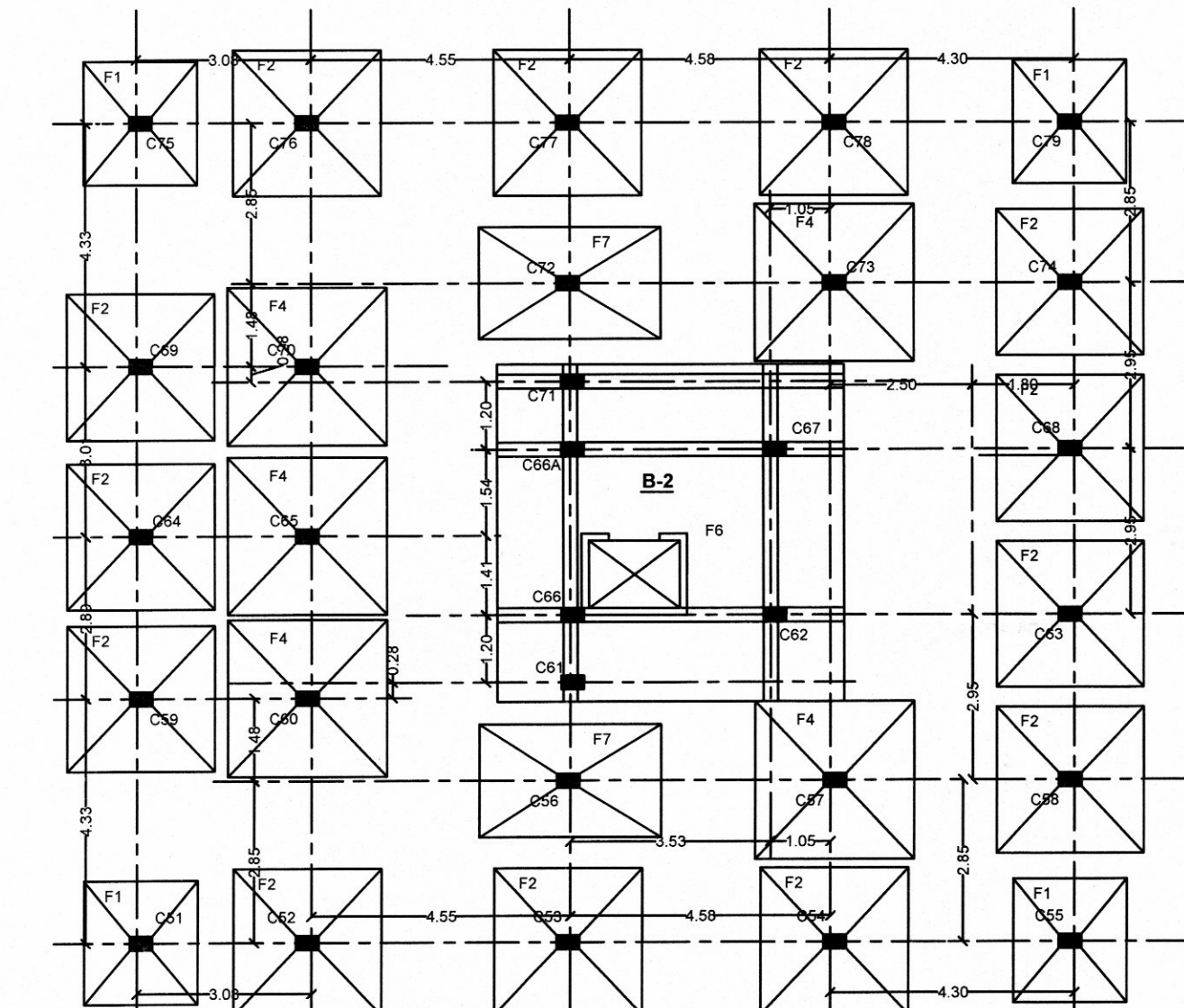
BEAM	TIE BEAM SIZE		ALTH. REINF.		REINF. EXTRA			STIRUPS	
	B	D	BOT.	TOP.	END SUPP.	MID SUPP.	BOT. SPAN	SUPP.	SPAN
TB1-TB2	250	300	3-12#	2-12#	1-16#	2-16#	-	Ø150c/c	Ø150c/c
TB3	250	300	3-12#	2-12#	1-16#	-	-	Ø150c/c	Ø150c/c
TB4-TB4	250	350	3-12#	2-12#	1-16#	2-16#	-	Ø150c/c	Ø150c/c

SCHEDULE OF BEAM

BEAM	BEAM SIZE		ALTH. REINF.		REINF. EXTRA			STIRUPS Ø1 (2L)	
	B	D	BOT.	TOP.	END SUPP.	MID SUPP.	BOT. SPAN	SUPP.	SPAN
B1-B2-B3	250	400	2-12#	2-12#	2-16#	3-16#	-	Ø125c/c	Ø150c/c
B4-B8	250	400	2-12#	2-12#	2-16#	3-16#	-	Ø125c/c	Ø150c/c
B16-B17-B17	250	400	2-12#	2-12#	2-16#	3-16#	-	Ø125c/c	Ø150c/c
B19-B20-B21	250	400	2-12#	2-12#	2-16#	3-16#	-	Ø125c/c	Ø150c/c
B29,B23,B30	250	400	2-12#	2-12#	2-16#	-	-	Ø150c/c	Ø150c/c
B10-B10	250	400	2-12#	2-12#	2-16#	3-16#	-	Ø150c/c	Ø150c/c
B12-B12	250	400	2-12#	2-12#	2-16#	3-16#	-	Ø150c/c	Ø150c/c
B22-B22	250	400	2-12#	2-12#	2-16#	3-16#	-	Ø150c/c	Ø150c/c
B11,B18	250	400	3-16#	2-12#	-	-	-	Ø150c/c	Ø200c/c
B13-B14	250	400	3-16#	2-12#	1-16#	3-16#	-	Ø150c/c	Ø150c/c
B24-B24	250	400	2-12#	2-12#	-	-	-	Ø150c/c	Ø200c/c
B17-B17	250	400	2-12#	2-12#	1-16#	3-16#	-	Ø150c/c	Ø150c/c
B15-B15	250	400	2-12#	2-12#	2-16#	3-16#	-	Ø150c/c	Ø150c/c
B25-B25	250	350	2-12#	2-12#	2-16#	3-16#	-	Ø150c/c	Ø150c/c
B51	250	350	2-12#	2-12#	1-16#	-	-	Ø150c/c	Ø150c/c
B52-B52	250	400	2-12#	2-12#	1-16#	2-12#	-	Ø150c/c	Ø150c/c
B53-B53	250	400	2-12#	2-12#	1-16#	2-12#	-	Ø150c/c	Ø150c/c
B54-B54	250	400	3-16#	2-12#	1-16#	3-16#	2-12# AT B54	Ø150c/c	Ø150c/c
B55-B55	250	400	3-16#	2-12#	1-16#	3-16#	2-12# AT B54	Ø150c/c	Ø150c/c
B57-B57	250	400	2-12#	2-12#	1-16#	3-16#	-	Ø150c/c	Ø150c/c
B59-B60	250	400	2-12#	2-12#	1-16#	3-16#	-	Ø150c/c	Ø150c/c
B61-B62-B63	250	400	2-12#	2-12#	1-16#	3-16#	-	Ø150c/c	Ø150c/c

FLOOR SLAB REINF. SCHEDULE

SLAB MKD.	THK. MM	BOTTOM REINF.		TOP REINF. OVER CONTINUES SUPPORT	
		SHORT SPAN	LONG SPAN	SHORT SPAN	LONG SPAN
		S1	Ø150 c/c	Ø200 c/c	Ø125 c/c
S2,S3	100	Ø175 c/c	Ø200 c/c	Ø150 c/c	Ø175 c/c
S5	100	Ø175 c/c	Ø200 c/c	Ø150 c/c	Ø175 c/c
S4	100	Ø150 c/c	Ø175 c/c	Ø100 c/c	Ø150 c/c
S6	100	Ø150 c/c	Ø175 c/c	Ø125 c/c	Ø125 c/c
STAIR	125	10Ø125 c/c			



FOUNDATION PLAN, COLUMN & BEAM LAYOUT PLAN, DETAILS OF FOOTING, STAIRCASE, SEPTIC TANK, BEAM & COLUMN.

SCALE: 1:100

ARCHITECT CONSULTANT: HAJRA & ASSOCIATE
 72, B.T. Road, Kolkata-700002
 Ph. : 83332418 (m), 2594972

DRAWN BY: MSD
 Checked BY: Debasish Hajra
 Date: 03.10.2023